

AVR-Prog2

{Signal}

Datei: AVR-Prog2.kicad_sch

Design by Mario Wolf

Bitotronic.de

Sheet: /

File: AVR-Prog (2023_08_02 18_11_20 UTC).kicad_sch

Title: AVR-Prog

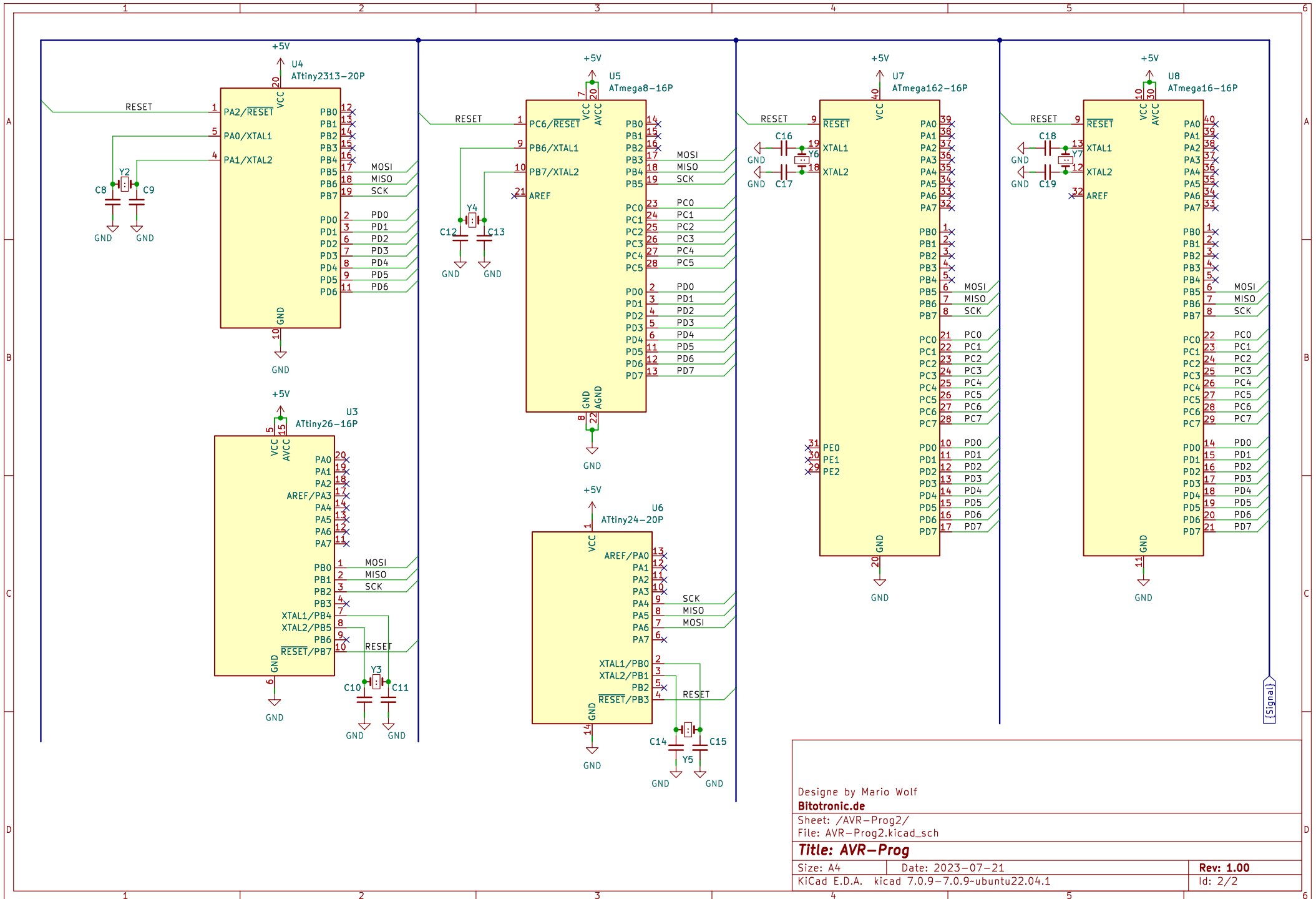
Size: A4

Date: 2023-07-21

KiCad E.D.A. kicad 7.0.9-7.0.9-ubuntu22.04.1

Rev: 1.00

Id: 1/2



Design by Mario Wolf
 Bitotronic.de
 Sheet: /AVR-Prog2/
 File: AVR-Prog2.kicad_sch

Title: AVR-Prog	
Size: A4	Date: 2023-07-21
KiCad E.D.A. kicad 7.0.9-7.0.9-ubuntu22.04.1	Rev: 1.00
	Id: 2/2